

Sensitivity Wavelength Range: 600nm ~ 1750nm

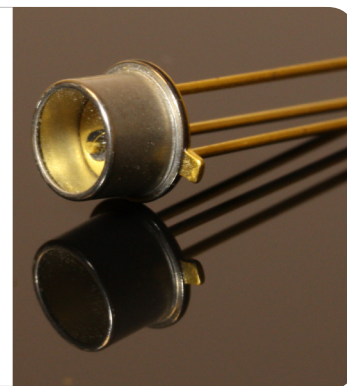
The 1346 series from Marktech, a high sensitivity and high reliability product series, is ideally suited for Optical Communication devices. Custom packaging options for this die are also available.

FEATURES

- > High Speed Response (Max: 1Gbps)
- > TO-46 Metal Can Package
- > Active Area of 0.3mm / High Sensitivity
- > Spectral Range 600nm -- 1750nm

APPLICATIONS

- > High Speed Optical Communications
- > Optical LAN
- > Optical Switches
- > Ethernet Fiber Channel



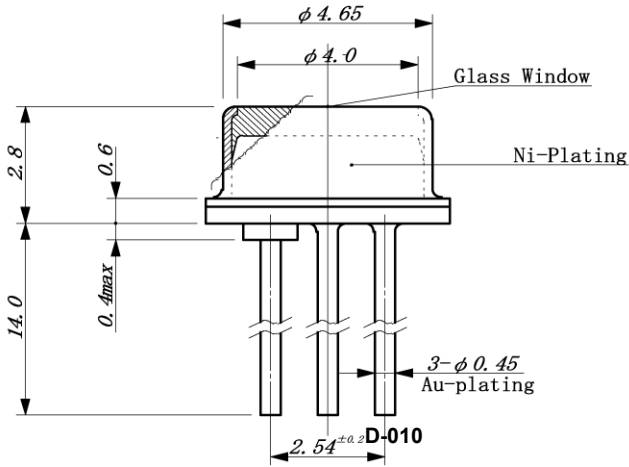
Absolute Maximum Ratings (Ta=25°C)

| ITEMS | SYMBOL | RATINGS | UNIT |
|-----------------------------|--------|------------|------|
| Active Area | Φ | 0.3 | mm |
| Operating Temperature Range | Topr | -40 ~ +85 | °C |
| Storage Temperature Range | Tstg | -40 ~ +125 | °C |

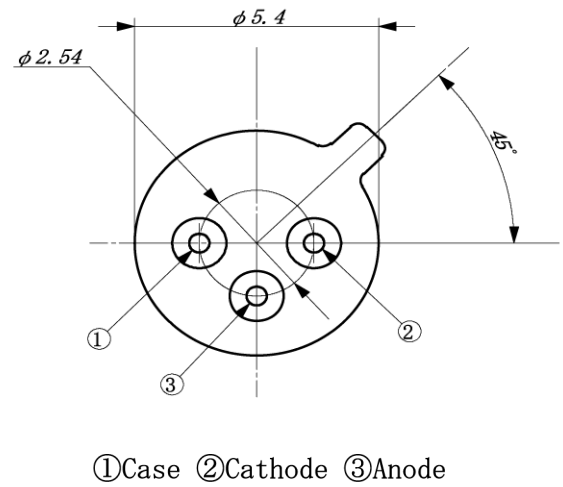
Electrical & Optical Characteristics (Ta = 25°C)

| ITEMS | SYMBOL | CONDITIONS | MIN | TYP | MAX | UNIT |
|----------------------------|--------|------------|-----|-----|------|------|
| Breakdown Voltage | VR | IR=10μA | -- | -- | 1.0 | V |
| Sensitivity Range | λ | VR=0V | 600 | -- | 1750 | nm |
| Dark Current | ID | VR=2V | -- | -- | 1.0 | μA |
| Junction Capacitance | Cj | VR=0V | -- | 15 | -- | pF |
| Photo Current at 1300nm *1 | IL | *2 | -- | 30 | -- | μA |

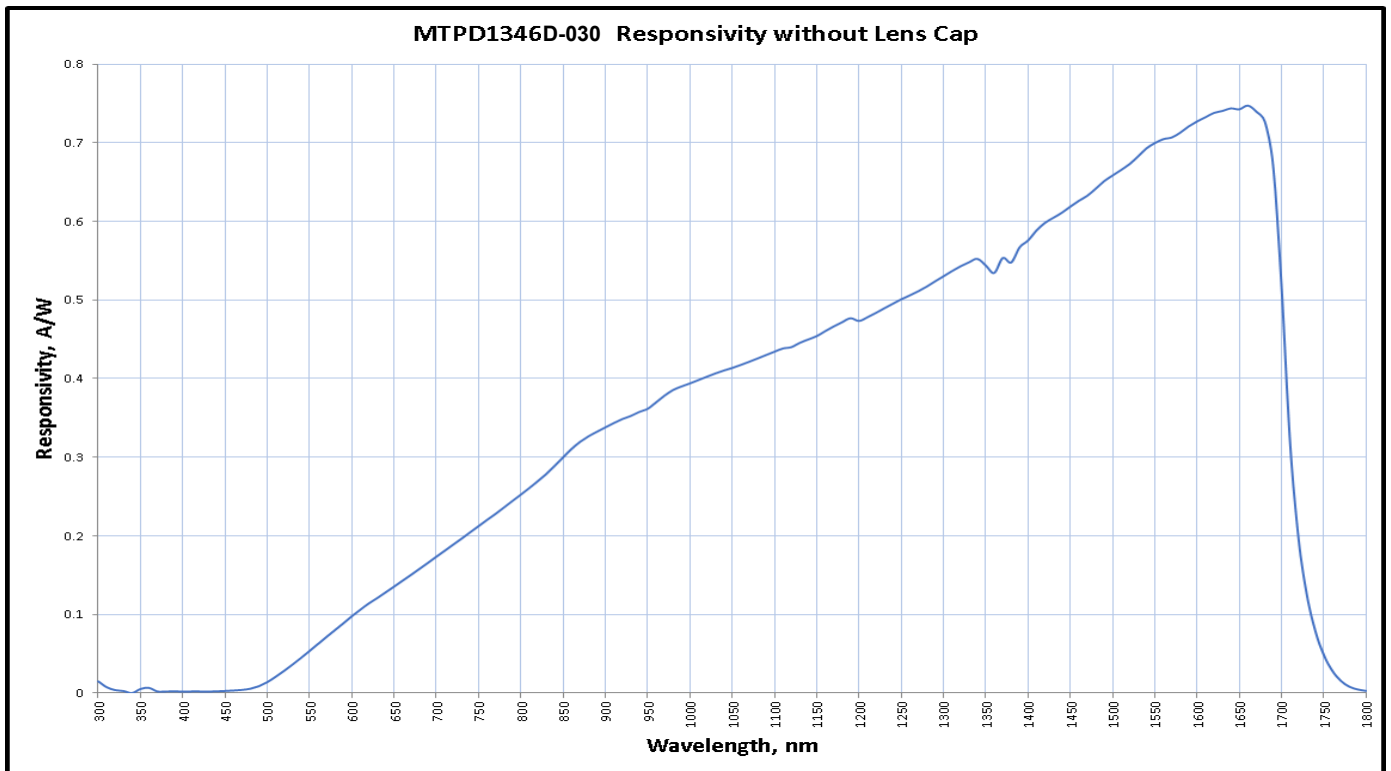
*1: As mounted on TO-46 gold header without resin coating. *2, VR=5V, Ee=1mW/cm²



Unit: mm, Tolerance: ± 0.2



①Case ②Cathode ③Anode



The information contained herein is subject to change without notice.

2024-12-03